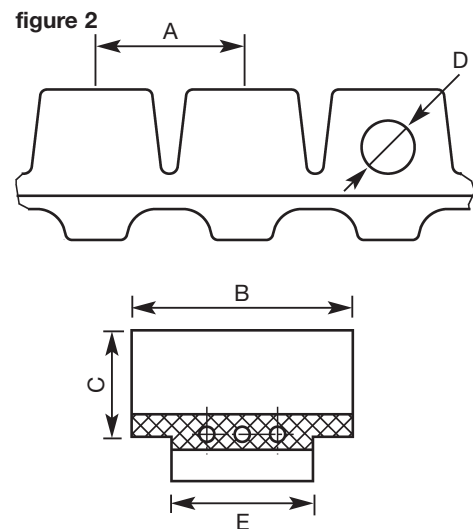
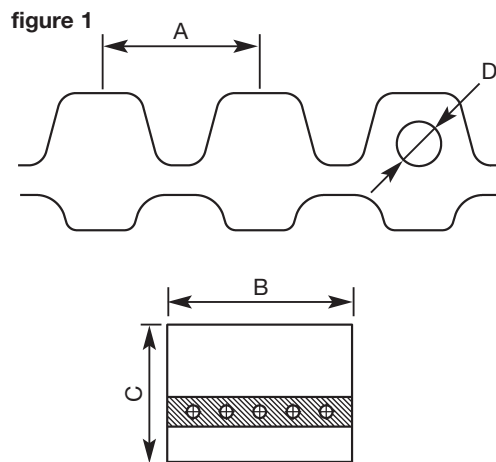


standard types

	type	A [mm]	B [mm]	C [mm]	E [mm]	max. tension [daN]	D max. bore diameter Ø [mm]
figure 1	33/33/30	33	32	28	–	450	6
“	33/33-36	33	32	36	–	450	13
“	33/53/50	33	50	36	–	750	15
“	43/53/50	43	50	36	–	750	11
“	43/50-45	43	50	44	–	750	17
“	43/53/50	43	50	36	–	750	11
“	43/53/7070	43	70	45	–	750	11
“	43/73/85	43	85	42	–	1.200	20
“	55/70-51	55	70	51	–	1.200	20
“	55/100-56	55	100	56	–	4.300	20
figure 2	33/33/50	33	50	34	32	450	14
“	43/53/70	43	70	43	50	750	20
“	43/73/8565	43	85	42	65	1.200	20

all right to alterations in dimensions is reserved



Rubber quality of the WIESE rubber chain

short name	NR / SBR	CR	NBR	HNBR	EPDM
denomination	Natural-Rubber / Styrene-Butadiene	“Neoprene” Chloroprene	“Perbunane” Acrylnitril-Butadiene	Hydrogenated Acrylnitril-Butadiene	Ethylene-Propylene-Dien Rubber
color	black	black	light	black	black
possible field of application	standard	weather-resistant and ozon-proof	food-standard	hot and chemical material	chemicals
temperature [°C]	- 50 to 70°C	- 35 to 90°C	- 30 to 95°C	- 40 to 140°C	- 35 to 80°C
short time temp. [°C]	80°C	100°C	120°C	160°C	120°C
other	conductive (ATEX)	- conductive - self-extinguishing			conductive (ATEX)