

TK – Top loading arm

The TK top loading arms are distinguished by an extra-large operating range for the loading of road tankers and rail tankers. By designing the correct pipe lengths it is possible to charge multi-chamber vehicles without even moving them.

Features:

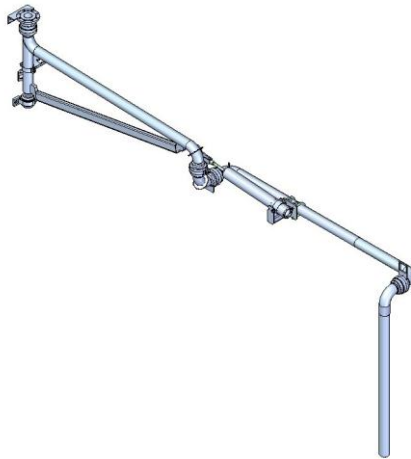
- Sizes DN50-DN150 (2"-6")
- Pressure range: 40 bar
- Temperature range: -196°C to +250°C
- Balancing by spring cylinder or counterweights.
- Material: available in carbon steel, stainless steel, low temperature carbon steel or special alloys

Options:

- PTFE lining
- Jacket heating, electric tracing, insulation
- Suction hood
- Overfill protection
- Shut-off valves
- Vapour return line
- Telescopic dip tube
- ...

TK – Top loading arm

TK top loading arm



TK top loading arm with vapour return, pneumatic cylinder, suction hood, overfill protection

