

Independent safety cages – safety systems

These safety cages are generally designed to cover large operating areas of the trucks & trains. Independent safety cages are custom built considering the site conditions and customer preferences and therefore ensure a high level of safety for each specific situation.

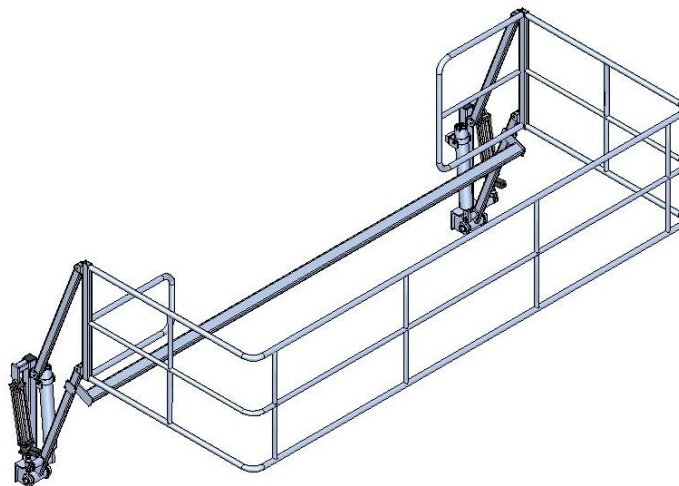
Features:

- Length: 1,4 – 12 meter
- Horizontal or vertical installation
- Mounted at existing platform or with own support structure
- Pneumatic or hydraulic operation
- Aluminium or galvanized carbon steel (depending on dimensions)

Options:

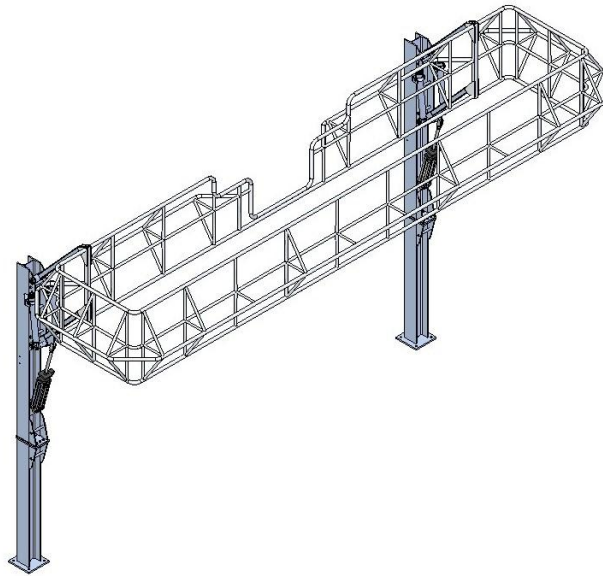
- Stored position detection
- Movable door inside the safety cage to adapt to different truck sizes
- Magnetic fall doors at the sided for oval trucks to prevent from slipping between the safety cage and the truck.

Safety cage mounted to existing platform



Independent safety cages – safety systems

Safety cage mounted on separate support structure



Vertical safety cage with movable door

