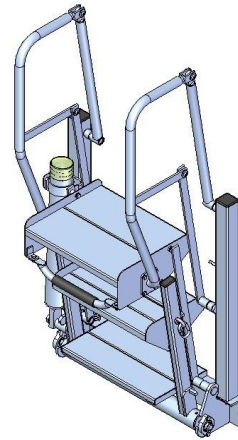
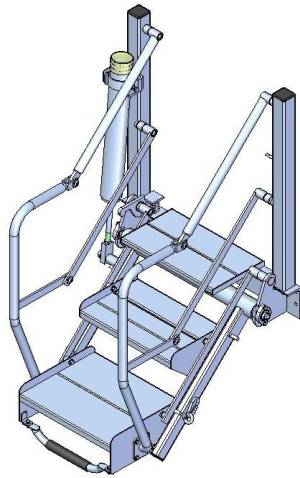


Folding stairs – safety systems

Wiese Europe's folding stairs have a solid weight design and are built according the highest safety regulations.



Features:

- Covering large height variation
- Carbon steel hot dip galvanized or chemical resistant anti-slip steps
- Hand + knee railing
- Automatic locking pedal in stowed position
- Balancing by spring cylinders
- 3-4-5-6 steps
- Width : 600/800/1.000/3.000 mm, other sizes upon request
- Hinged step for safety

Options:

- Pneumatic operation
- Limit switch in normal or ex-proof design
- Chain locking device
- Protective cage which surrounds door opening

Folding stairs – safety systems

Dimensions, weights and load on the platform

Type	Steps	A mm	B mm	C mm	D mm	E mm	F mm	G mm	J mm	Live load Kg	Load on platform	
											V = vertical Kg	M = moment Kgm
3T	3	1820	335	553	1000	1250	550	560	800	197	540	260
4T	4	2220	335	602	1300	1650	850	960	1100	215	680	441
5T	5	2620	335	650	1600	2050	1150	1360	1400	253	820	674

