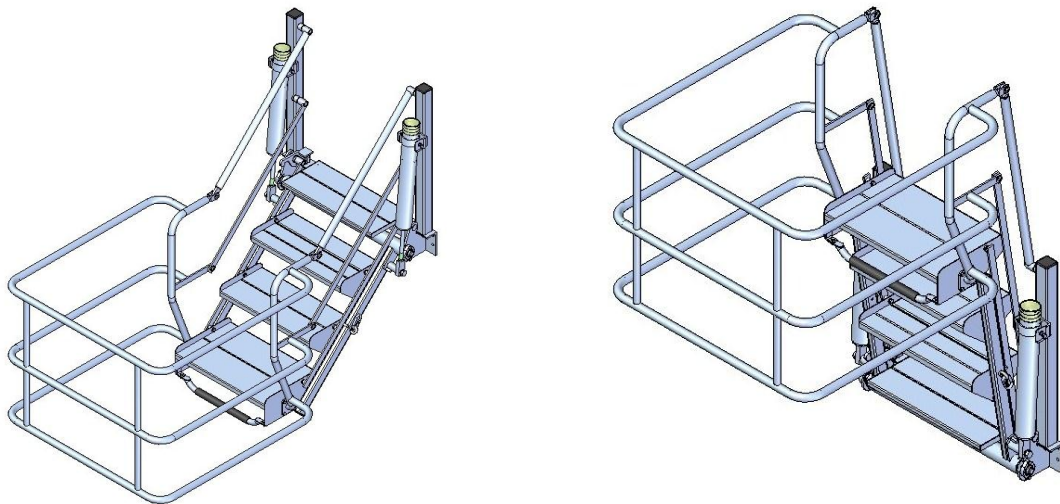


Fixed safety cages – safety systems

Wiese Europe's folding stairs have a solid weight design and are built according to the highest safety regulations. These folding stairs can be combined with a safety cage protecting the operators during their actions.



Features:

- Attached to the folding stairs
- Carbon steel hot dip galvanized or aluminium
- Hand + knee railing
- Balancing by spring cylinders attached to the folding stairs
- Available for 3-4-5-6 steps folding stairs

Options:

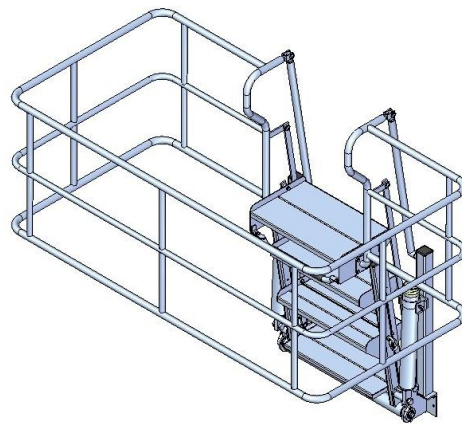
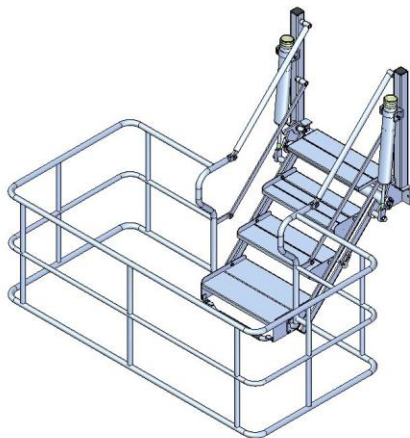
- Pneumatic operation
- Limit switch in normal or ex-proof design
- Side openings for loading arms with long dip tube

Fixed safety cages – safety systems

Standard sizes of the fixed safety cages are:

- 1,4 x 1,4 m
- 1,4 x 2,8 m
- Other sizes available on request

Safety cage 1,4 x 2,8



Safety cage 1,4 x 2,8 with side opening

